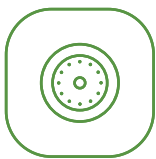
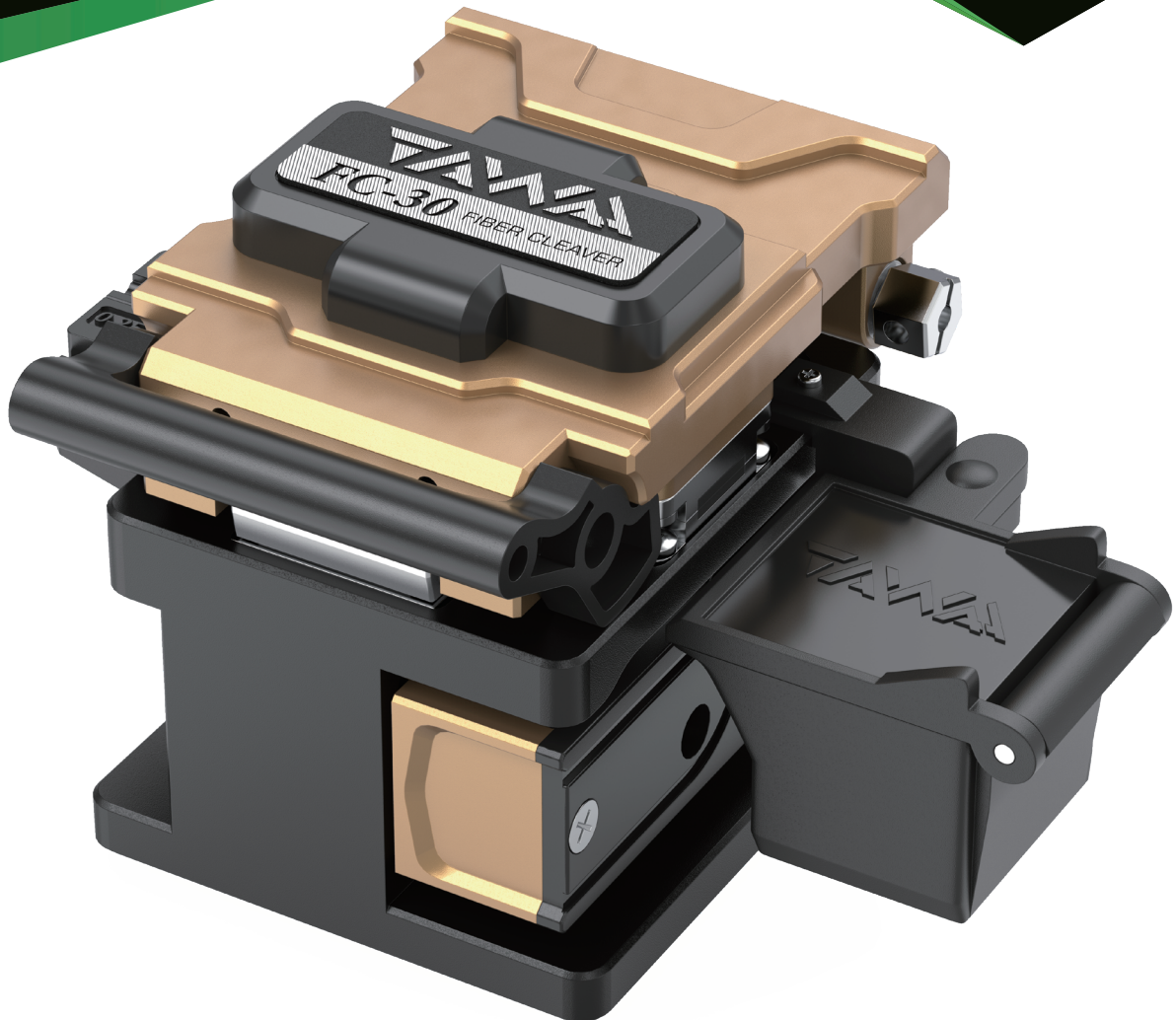


# FC-30

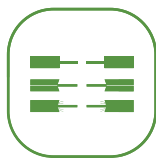
High-precision fiber cleaver



Make It Easy



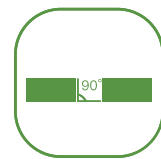
48000 times  
blade life



3-in-1  
universal holder



Double  
fixture standard



$\leq 0.5$  degree  
Cleaved angle

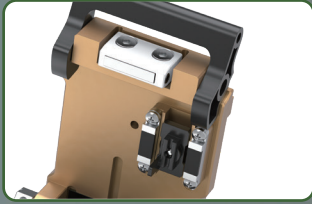


## Product Features

- Blade life up to 48,000 times
- Double fixture design, suitable for various optical fibers of 250~3.0mm
- High-precision CNC machining and forming, excellent texture
- Typical cutting angle  $\leq 0.5$  degree
- Tungsten steel blade, wear resistance, high hardness, corrosion resistance
- Traditional bench top design, simple and easy to use

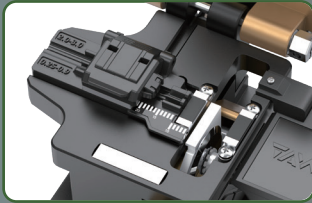


# Product selling point



## Pressure pad

Silicone pressure pad can effectively hold down the optical fiber



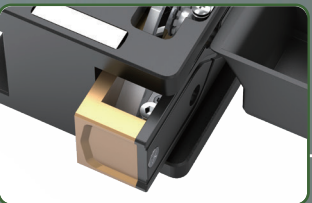
## Holder

All-in-one fixture (dual fixture design)  
Suitable for various optical fibers of 250~3.0mm



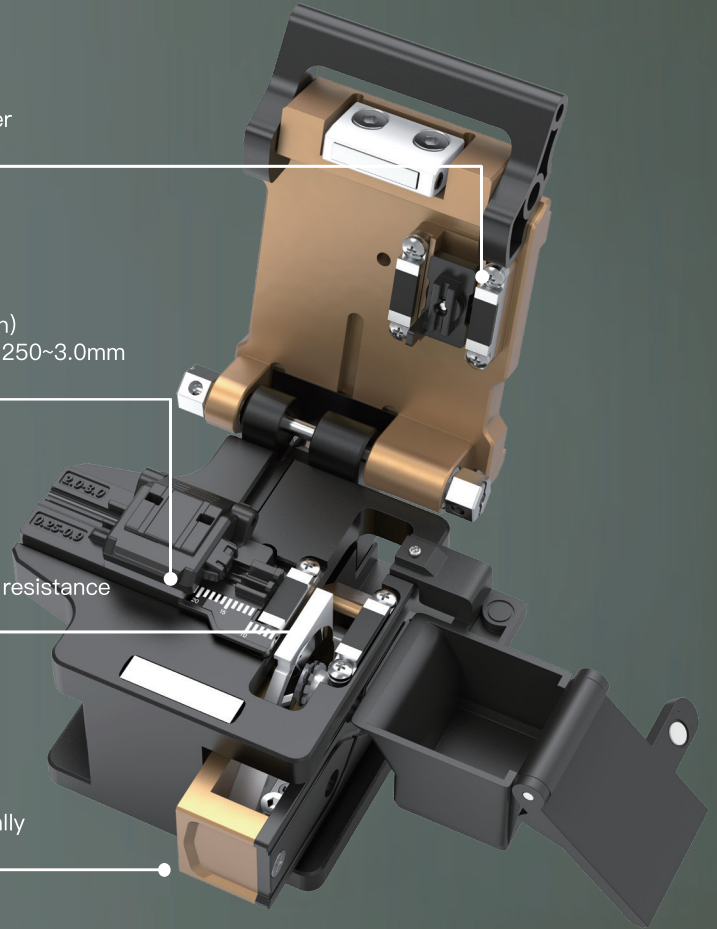
## Blade

Real tungsten steel blade, wear resistance, high hardness, corrosion resistance

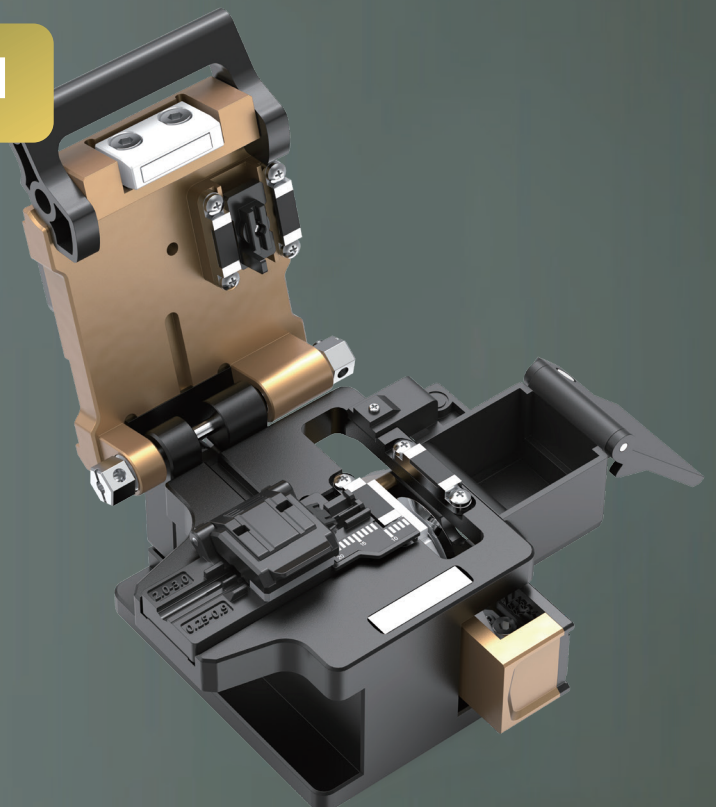
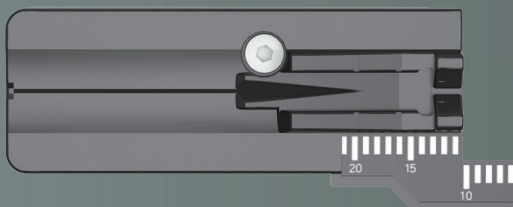
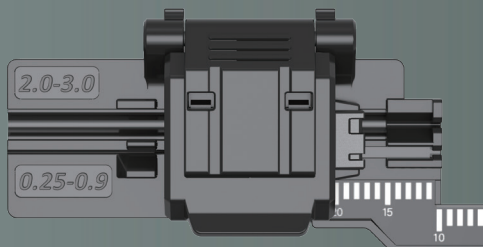


## Slide

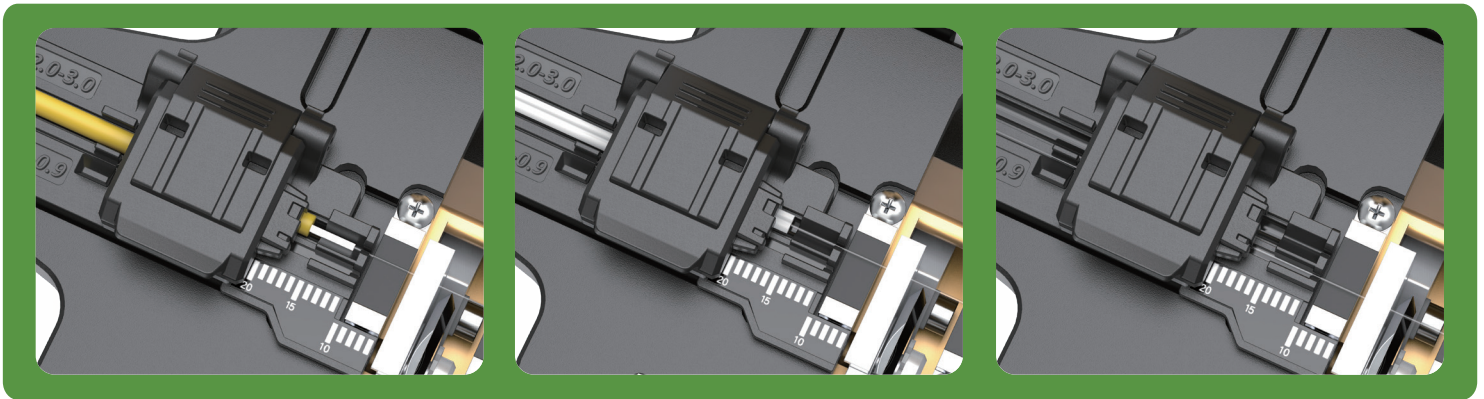
High-precision slide, open the cover will return automatically



## Double fixture standard



# 3-in-1 holder



## Product parameter

Fiber Material	Single fiber
Cladding Diameter	125 $\mu$ m
Cleaved Length	Single fiber: 8~20mm / Ribbon fiber: 10mm
Applicable Fiber Cable	Single fiber: 250 $\mu$ m, 900 $\mu$ m, 3.0mm / flat cable / Ribbon fiber: 2 to 12 fiber cable
Typical Cleaved Angle	Less than 0.5 Degrees ★①
Typical Blade Life	Total 48,000 fiber cleaves (replaceable) ★②
Off-cut Collector	Pre-fitted
Type of Offcut Bin	Manual
Auto Return	Pre-fitted
Dimension / Weight	77W*97D*63H(mm)/360g

★① The fiber cleave angle changes by operating environment

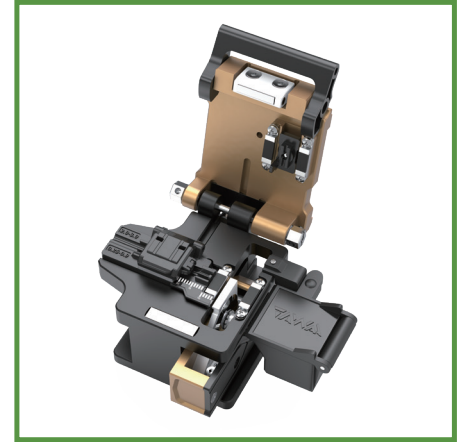
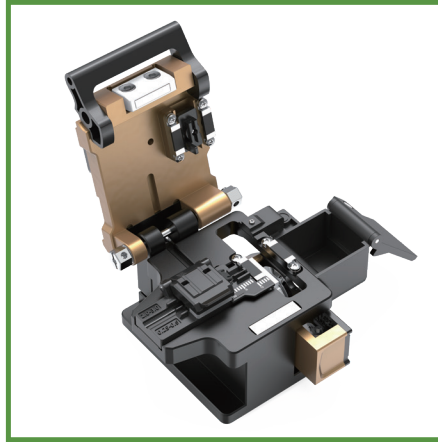
★② Blade life changes by operating environment



## Product configuration

Fiber Cleaver FC-30	1
Carrying case	1
Fiber Clamp Type 2	1
Quick guide	1

# Products Showing



## HEAD OFFICE:

TAWAA TOOLS LIMITED

## CONTACT US:

### Headquarters address:

China (Jiangsu) Pilot Free Trade Zone Suzhou Area Room 1703,  
Shanglv Building, No.381 East of Suzhou Avenue, Industrial Park.

### Factory address:

B Building Zhongzhi Science and Technology Park, No.95 Xingangwan  
Road, Liuhe Economic Development Zone, Nanjing, Jiangsu, China.

**Phone** : +86 512 65979145

**Website** : [www.tawaa.com](http://www.tawaa.com)

**Email** : [info@tawaa.com](mailto:info@tawaa.com)



Website